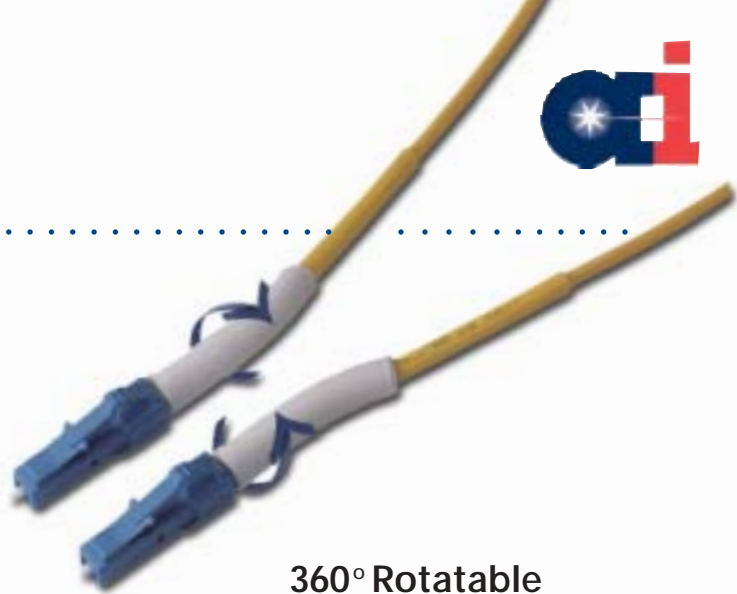


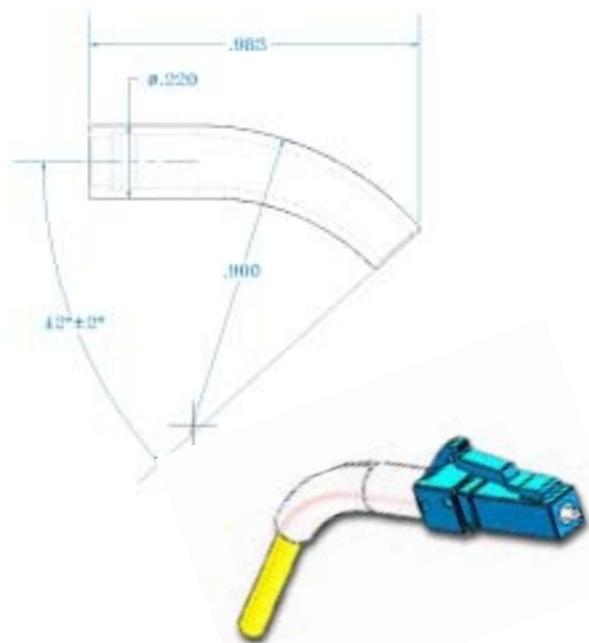


Fully rotatable 42° LC boot

Advanced Interconnect's fully rotatable 42 degree LC boot is designed to greatly improve cable routing in dense cable management applications. This unique boot rotates a full 360 degrees without twisting the fiber, therefore eliminating the risk of fiber torsional stress. Its 42 degree angled design provides ease of routing and eliminates undue stresses imposed on traditional 'straight' boots in many cable routing applications where space is an issue. Made from low smoke, zero halogen (LSZH) material, the boot meets proposed industry toxin reduction initiatives. This boot maintains minimum bend radius and is available for 1.6 mm, 1.8 mm, and 2.0 mm cable assemblies.



360° Rotatable



42° Angled Design

Features

- > Small form factor
- > Purposeful rotation provides flexibility in the field and isolates the fiber from torsional stresses.
- > 360 degree rotation
- > Low smoke, zero halogen material (LSZH) material exceeds current industry requirements and meets future regulatory proposals.
- > Proprietary design allows boot to be used with a variety of LC connectors.
- > 42 degree angled design for ease of cable routing
- > Available in a duplex configuration (allows limited rotation)

Applications

- > Patch panels
- > Interbay connections
- > Transmission equipment
- > Front panels
- > Any LC optical interface

Drawings and photograph are not to scale.



130 Constitution Boulevard • Franklin, MA 02038
800-989-3627 • 508-541-3400 • 508-541-3419 fax
fibersales@ai-global.com
www.ai-global.com

© August 2003 Advanced Interconnect, Inc., A Division of Woodhead Industries Inc.
All trademarks and registered trademarks are proprietary to their respective owners.

Data is for informational purposes only and is subject to change. Please contact our sales department or refer to our website for current information.